

# EWVO

## WORLD CLASS SOLAR MODULES

**72 Cells**  
Monocrystalline  
Module

**330-360w**  
Power Output Range

**17-18.5%**  
Maximum Efficiency

**0~+5w**  
Power Tolerance

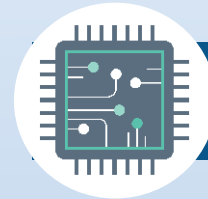


PRODUCT WARRANTY  
**12**  
Years  
PRODUCT WARRANTY

PERFORMANCE WARRANTY  
**30**  
Years  
PERFORMANCE WARRANTY



WORLD  
CLASS  
PRODUCTS



FULLY  
AUTOMATED  
ADVANCED  
SOLAR PLANT

**100%**

100%  
A GRADE  
CELLS ONLY



EVERY  
MODULE DOUBLE  
TESTED  
& CHECKED



PRODUCTION  
BASE IN  
VIETNAM



NO  
COMPROMISE  
ON QUALITY



**ROBOTIC PLANT**



**CE**

**IEC**





## WORLD CLASS SOLAR MODULES

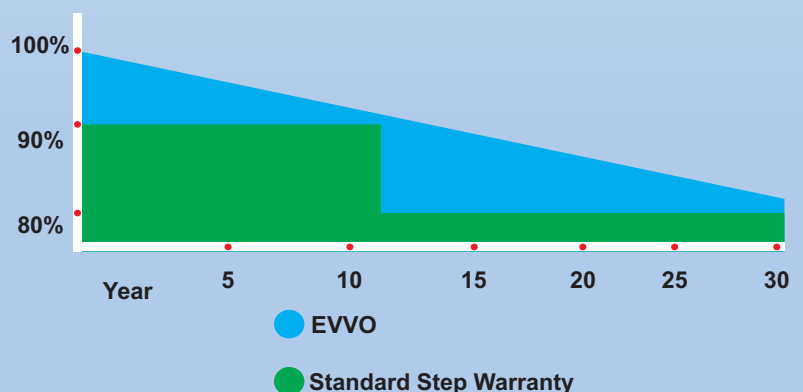
### PRODUCT SPECIFICATIONS



- **DEAL FOR LARGE SCALE INSTALLATIONS**
  - High power footprint reduces installation time and BOS costs
  - 1500V UL/1500V IEC certified
- **ONE OF THE INDUSTRY'S MOST TRUSTED MODULES**
  - Field proven performance
  - Strong, reliable supplier
- **HIGHLY RELIABLE DUE TO STRINGENT QUALITY CONTROL**
  - Over 30 in-house tests (UV, TC, HF, and many more)
  - In-house testing goes well beyond certification requirements
  - 100% EL double inspection
- **CERTIFIED TO WITH STAND CHALLENGING ENVIRONMENTAL CONDITIONS**
  - 2400 Pa wind load
  - 5400 Pa wind load
  - 35 mm hail stones at 97 km/h
  - PID resistant

### LINEAR PERFORMANCE WARRANTY

12 Year Product Warranty  
30 year Linear Power Warranty



**Electrical Specifications**  
(standard test conditions)

Maximum Power -P <sub>MAX</sub> (Wp)	330	335	340	345	350	355	360
Power Tolerance-P <sub>MAX</sub> (W)	0 ~ +5%						
Maximum power point of operating voltage-P <sub>MPP</sub> (V)	37.7	37.9	38.2	38.4	38.5	38.7	38.9
Maximum power point of operating current)-I <sub>MPP</sub> (A)	8.78	8.84	8.90	9.00	9.09	9.17	9.26
Open circuit voltage-V <sub>oc</sub> (V)*	44.28	46.30	46.5	46.7	46.9	47.0	47.2
Short circuit current- IM (A)	9.34	9.36	9.45	9.50	9.60	9.69	9.79
Module Efficiency $\eta_{m}$ (%)	17.0	17.3	17.5	17.8	18.0	18.3	18.5

Standard test conditions under Measured Value:( air quality AM1.5, Irradiance 1000W / m<sup>2</sup> cell temperature 25 °C)

**Electrical Index (under nominal operating cell temperature conditions)**

Maximum Power-P <sub>MAX</sub> (Wp)	246	250	253	257	261	264	268
Maximum power point of operating voltage-P <sub>MPP</sub> (V)	34.9	35.1	35.2	35.5	35.6	35.8	35.9
Maximum power point of operating current)-I <sub>MPP</sub> (A)	6.89	7.11	7.19	7.25	7.33	7.40	7.47
Open circuit voltageV <sub>oc</sub> (V)*	41.1	43.1	43.2	43.4	43.5	43.7	43.8
Short circuit current IM (A)	7.50	7.56	7.63	7.67	7.75	7.82	7.88

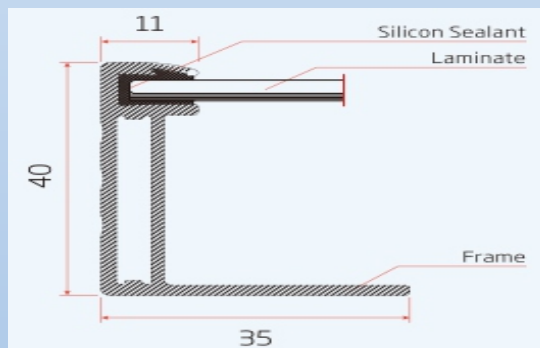
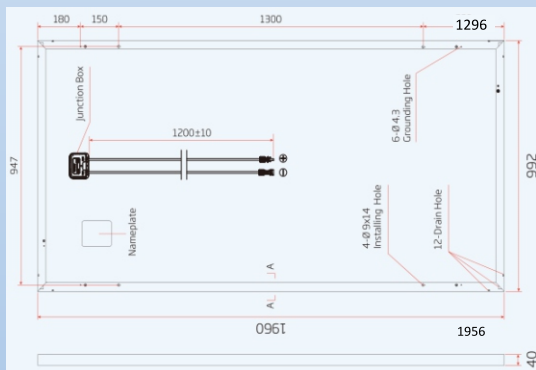
NOCT: Irradiance 800W / m<sup>2</sup> ambient temperature of 20 °C, wind speed 1m .

**Mechanical Specifications:**

Solar cell Type	156.75mm x156.75mm Mono-crystalline
Number of Cells	1 module 72pieces (6 x12)
Dimensions	1956 x992 x40 mm
Weight	22.5 kg -26kg(glass 3.2/4.0mm)
Glass	3.2mm/4.0mm, High transparency, anti-reflective coatings toughened glass
Backsheet	White/black
Frame	Silver, anodized aluminum
Junction Box	Protection level IP 68
Cable	4.0 mm <sup>2</sup> 1200 mm Photovoltaic dedicated cable:
Connector	MC4 compatible

**Temperature Rating**

	Limit parameter	
Nominal Operating Cell Temperature (NOCT)	44°C (±2°C)	Working Temperature -40~+85°C
Maximum power (P <sub>MAX</sub> ) Temperature Coefficient	- 0.39%/°C	Maximum system voltage 1500V DC (IEC)
Open circuit voltage (VOC) Temperature Coefficient	- 0.29%/°C	1500V DC (UL)
Short circuit current (ISC) Temperature Coefficient	0.05%/°C	Maximum fuse rated Current 15A



**P72 Module Packing**

Name	Dimensions (mm)	Weight (kg)
Pallet	1995*1120*145mm	25
Carton Box(26pcs)	1992*1114*1000mm	12
Carton Box (2pcs)	1975*1000*90mm	2.5

**Packaging Method**

Modules per box:26 pcs  
Modules per 40 ft container: 624 pcs  
\* Installation depends on the mechanical load

Maximum stacking height of P72 Module Packing 26 pcs per box allow stacking of the same 26 pcs box . Plus 2 boxes per box 2pcs;

26 pcs single pallet dimension height:1145mm Weight:713KG

Height of 2 pallet stacking 2 pallet per box 2pcs: 2470mm Weight 1510KG

**Authorized Dealer**

**Registered Office :**

Commercial Centre,  
27 Hillier Street, Sheung Wan,  
Hong Kong,Asia.

Contact : +91 7338821798  
E-Mail : info@evvosolar.com  
Skype : evvosolar

**Manufacturing Unit :**

Tien Son Industrial Zone,  
Hoan Son Commune,  
Tien Du District, Bac Ninh

E-Mail : vietnam@evvosolar.com

**Global Sales Office :**

Sidco Industrial Estate,  
Ambattur, Chennai - 600053  
India.

Contact : +91 7338821798  
E-Mail : sales@evvosolar.com  
Skype : evvosolar

